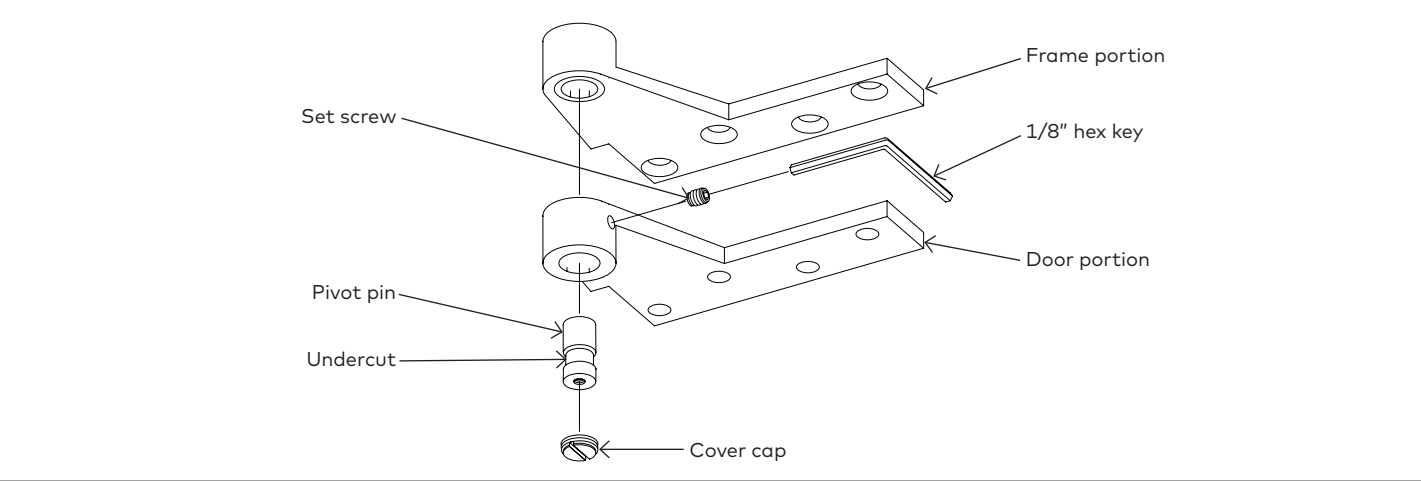


Installation Instructions

15-75120 Top Pivot
1-1/2" Offset Frame Portion
3/4" Offset Door Portion

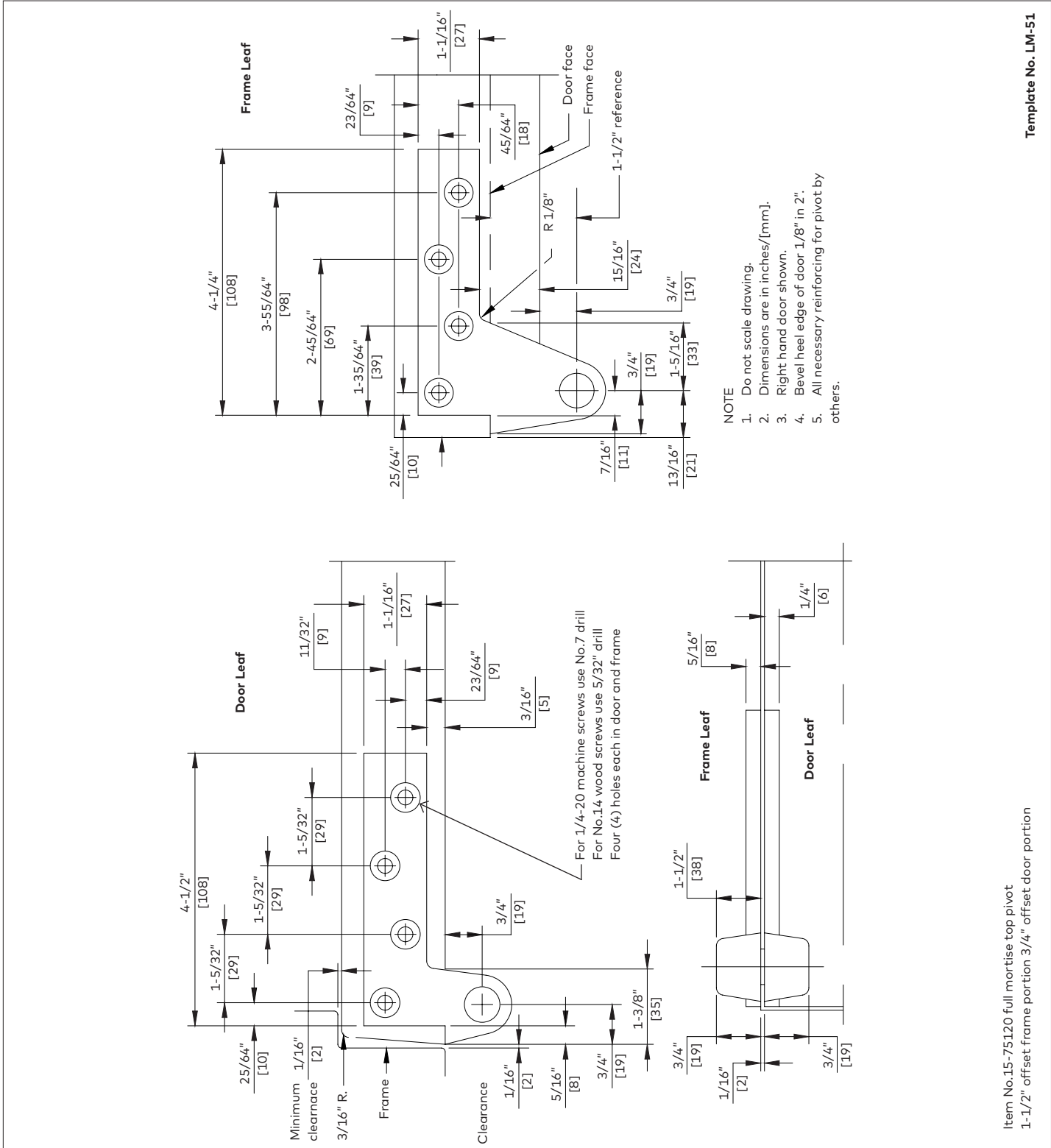
1.1 Install pivot



- 1.1.1 Prepare door and frame according to template.
- 1.1.2 Remove door portion cover cap.
- 1.1.3 Remove set screw.
- 1.1.4 Remove pivot pin.
- 1.1.5 Fasten pivot to door and frame.
- 1.1.6 Install door.
- 1.1.7 Align door and frame portions of top pivot.
- 1.1.8 Install pivot pin marking sure undercut area of pin aligns with set screw.
- 1.1.9 Tighten set screw securely.
- 1.1.10 Install door portion cover cap.

Template

LM-51



Template No. LM-51

Item No.15-75120 full mortise top pivot
 1-1/2" offset frame portion 3/4" offset door portion